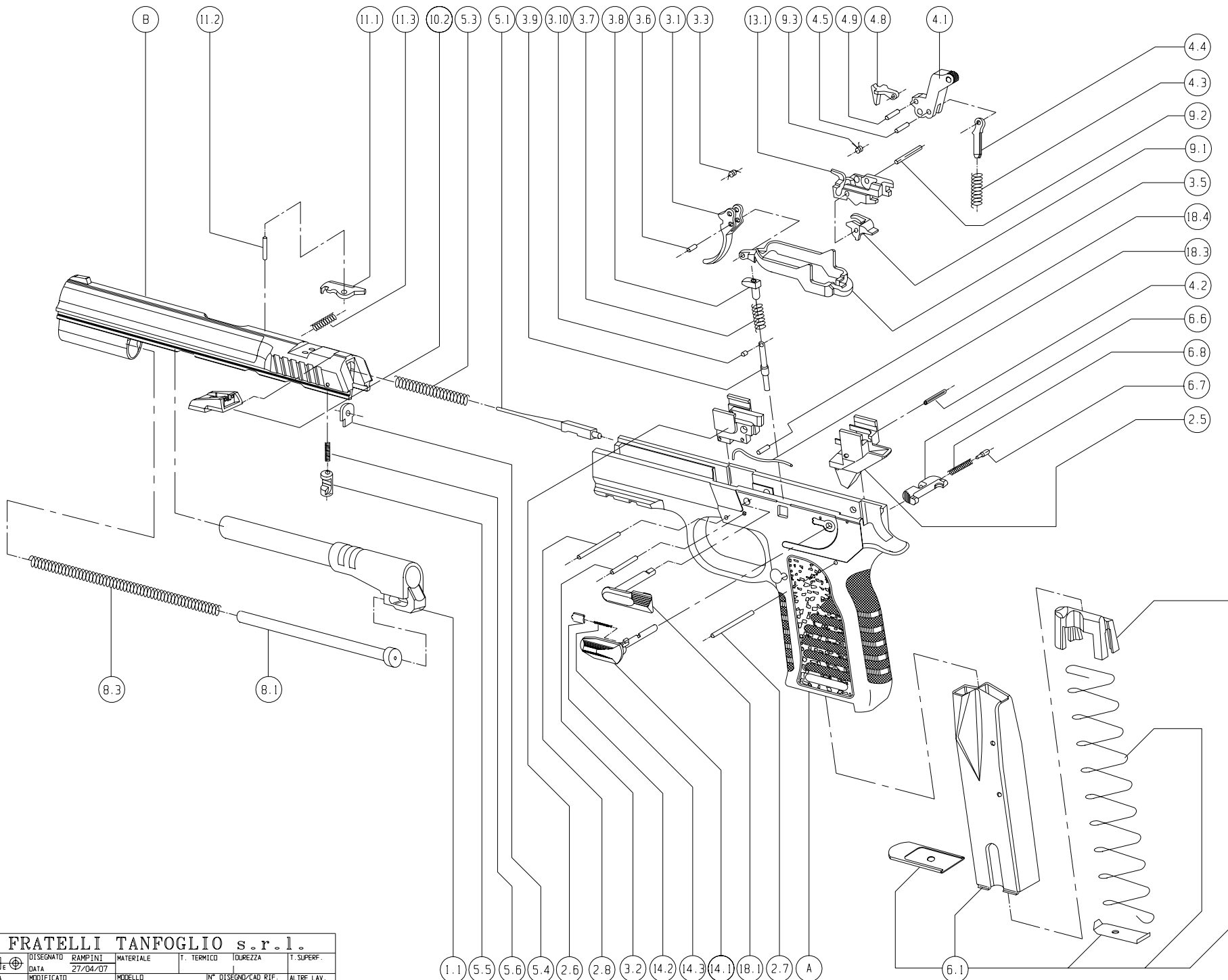


# PARTS LIST

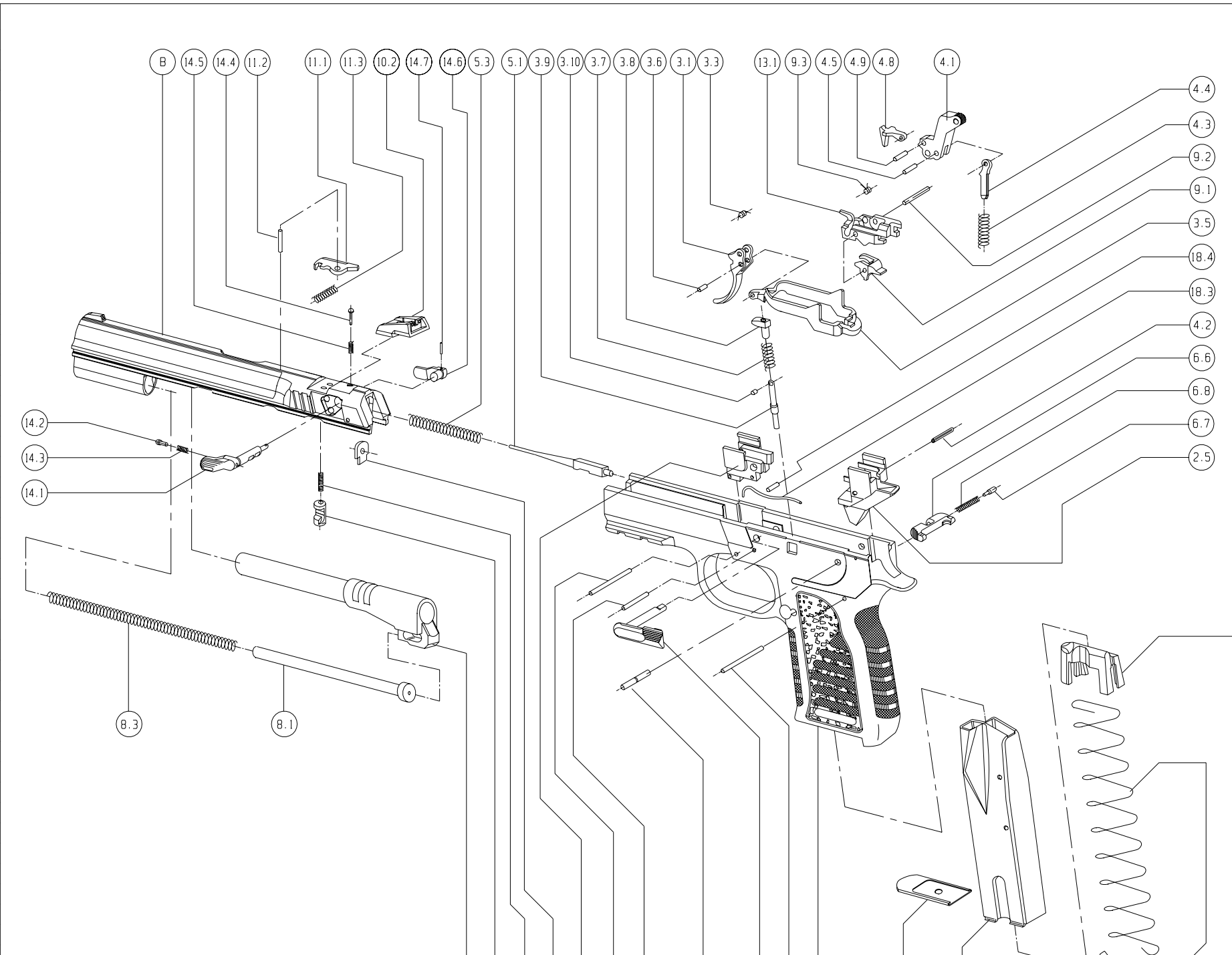
- 1.1 - BARREL
- 2.5 - REAR INSERT
- 2.6 - FRONT INSERT
- 2.7 - REAR INSERT PIN
- 2.8 - FRONT INSERT PIN
- 3.1 - TRIGGER
- 3.2 - TRIGGER PIN
- 3.3 - TRIGGER SPRING
- 3.5 - TRIGGER BAR
- 3.6 - TRIGGER BAR PIN
- 3.7 - TRIGGER BAR SPRING
- 3.8 - TRIGGER BAR GUIDE
- 3.9 - TRIGGER BAR PLUNGER
- 3.10 - TRIGGER BAR PLUNGER PIN
- 4.1 - HAMMER
- 4.2 - HAMMER PIN
- 4.3 - HAMMER SPRING
- 4.4 - HAMMER STRUT
- 4.5 - HAMMER STRUT PIN
- 4.8 - INTERRUPTOR
- 4.9 - INTERRUPTOR PIN
- 5.1 - FIRING PIN
- 5.3 - FIRING PIN SPRING
- 5.4 - FIRING PIN RETAINER
- 5.5 - FIRING PIN SAFETY
- 5.6 - FIRING PIN SAFETY SPRING
- 6.1 - MAGAZINE
- 6.6 - MAGAZINE CATCH
- 6.7 - MAGAZINE CATCH PLUNGER
- 6.8 - MAGAZINE CATCH SPRING
- 8.1 - RECOIL SPRING GUIDE
- 8.3 - RECOIL SPRING
- 9.1 - SEAR
- 9.2 - SEAR PIN
- 9.3 - SEAR SPRING
- 10.2 - REAR SIGHT
- 11.1 - EXTRACTOR
- 11.2 - EXTRACTOR PIN
- 11.3 - EXTRACTOR SPRING
- 13.1 - SEAR HOUSING
- 14.1 - SAFETY
- 14.2 - SAFETY PLATE
- 14.3 - SAFETY PLATE SPRING
- 18.1 - SLIDE STOP PIN
- 18.3 - SLIDE STOP PIN SPRING
- 18.4 - SLIDE STOP PIN SPRING PIN



<b>FRATELLI TANFOGLIO s.r.l.</b>						
SCALA	DISEGNATO	RAMPINI	MATERIALE	T. TERMICO	LOUREZZA	T. SUPERF.
	DATA	27/04/07				
PAG. N°	MODIFICATO		MODELLO	N° DISGNO/CAD	RIF.	ALTRE LAV.
	DATA		CARRY-POLICE-F	ESP	CARRY-POLICE-F	
	APPROVATO		PARTICOLARE	EXPLODED VIEW		
	DATA					
La diffusione e riproduzione del presente disegno è vietata ai termini d'illegge						

# PARTS LIST

- 1.1 - BARREL
- 2.5 - REAR INSERT
- 2.6 - FRONT INSERT
- 2.7 - REAR INSERT PIN
- 2.8 - FRONT INSERT PIN
- 3.1 - TRIGGER
- 3.2 - TRIGGER PIN
- 3.3 - TRIGGER SPRING
- 3.5 - TRIGGER BAR
- 3.6 - TRIGGER BAR PIN
- 3.7 - TRIGGER BAR SPRING
- 3.8 - TRIGGER BAR GUIDE
- 3.9 - TRIGGER BAR PLUNGER
- 3.10 - TRIGGER BAR PLUNGER PIN
- 4.1 - HAMMER
- 4.2 - HAMMER PIN
- 4.3 - HAMMER SPRING
- 4.4 - HAMMER STRUT
- 4.5 - HAMMER STRUT PIN
- 4.8 - INTERRUPTOR
- 4.9 - INTERRUPTOR PIN
- 5.1 - FIRING PIN
- 5.3 - FIRING PIN SPRING
- 5.4 - FIRING PIN RETAINER
- 5.5 - FIRING PIN SAFETY
- 5.6 - FIRING PIN SAFETY SPRING
- 6.1 - MAGAZINE
- 6.6 - MAGAZINE CATCH
- 6.7 - MAGAZINE CATCH PLUNGER
- 6.8 - MAGAZINE CATCH SPRING
- 8.1 - RECOIL SPRING GUIDE
- 8.3 - RECOIL SPRING
- 9.1 - SEAR
- 9.2 - SEAR PIN
- 9.3 - SEAR SPRING
- 10.2 - REAR SIGHT
- 11.1 - EXTRACTOR
- 11.2 - EXTRACTOR PIN
- 11.3 - EXTRACTOR SPRING
- 13.1 - SEAR HOUSING
- 13.2 - SEAR HOUSING PIN
- 14.1 - FIRING PIN SAFETY (LEFT)
- 14.2 - FIRING PIN SAFETY PLUNGER
- 14.3 - FIRING PIN SAFETY SPRING
- 14.6 - FIRING PIN SAFETY (RIGHT)
- 14.7 - FIRING PIN SAFETY PIN
- 18.1 - SLIDE STOP PIN
- 18.3 - SLIDE STOP PIN SPRING
- 18.4 - SLIDE STOP PIN SPRING PIN



<b>FRATELLI TANFOGLIO s.r.l.</b>						
SCALA	DISEGNATO	RAMPINI	MATERIALE	T. TERMICO	IDUREZZA	T. SUPERF.
	DATA	27/04/07				
PAG. N°	MODIFICATO		MODELLO	N° DISGNO/CAD. RIF.	ALTRE LAV.	
	DATA		CARRY-POLICE-R	ESP_CARRY_POLICE_R		
A	APPROVATO		PARTICOLARE	EXPLODED VIEW		
B	DATA					
La diffusione e riproduzione del presente disegno è vietata ai termini d'illece						